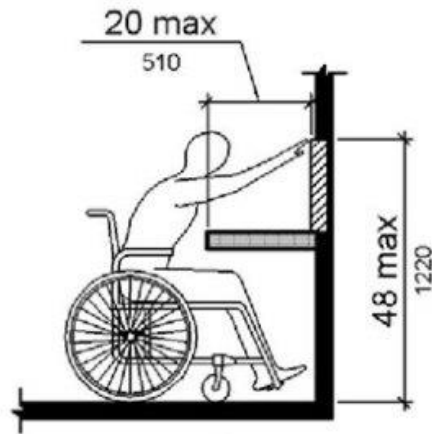
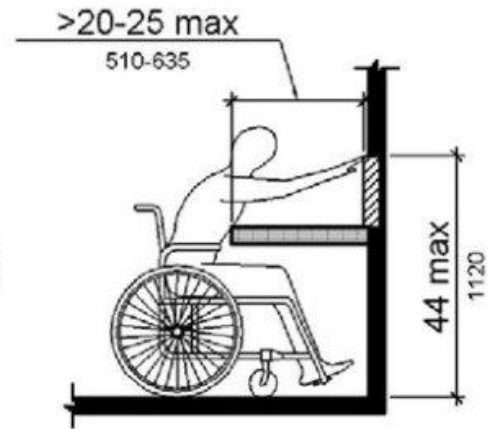


Figure 308.2.1
Unobstructed Forward Reach



(a)



(b)

Figure 308.2.2
Obstructed High Forward Reach

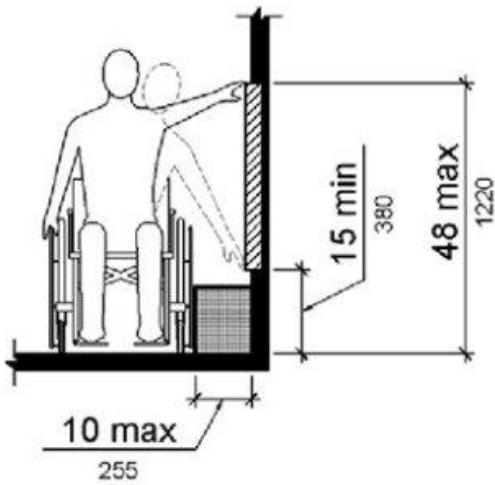
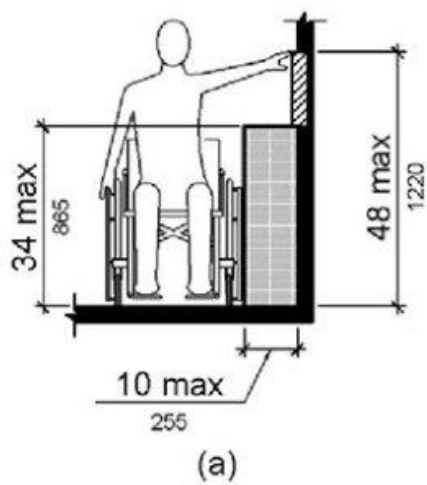
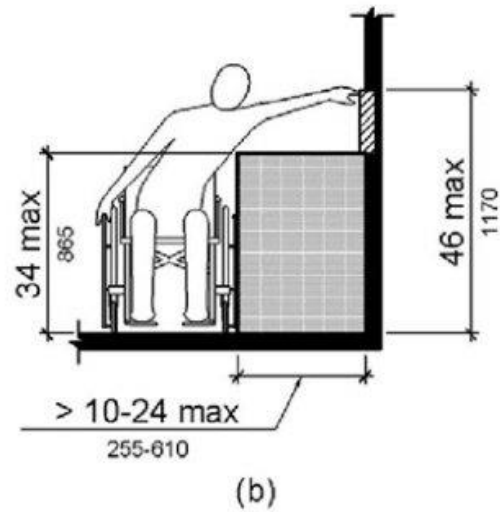


Figure 308.3.1
Unobstructed Side Reach



(a)



(b)

Figure 308.3.2
Obstructed High Side Reach